

SARTORIUS - Type PR 6223 Load Cell



Product Description

The Sartorius PR 6223 is a single column, stainless steel compression load cell. This product is suitable for use in road and rail weighbridges and process weighing applications. The welded construction and built-in surge protection ensure that this product can be used successfully in harsh environments.

Application

- Weighbridges

Basic Features

- Capacities: 25 and 50 t
- Full stainless steel construction
- Wide temperature range
- Degree of protection IP 68

Approvals

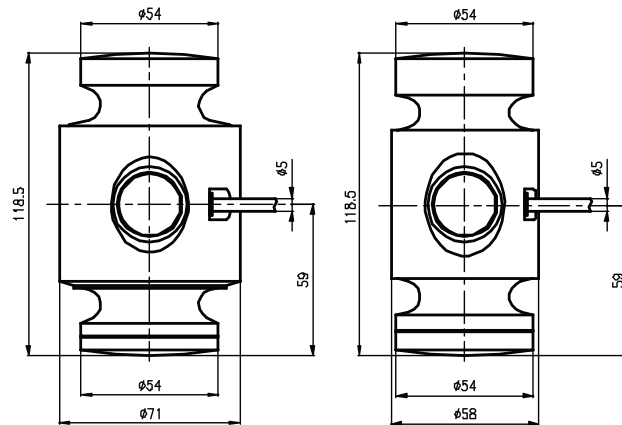
- OIML R60

PLEASE NOTE :

Unfortunately, this load cell is not available anymore. This has been replaced by the PR6221/25t or PR6221/50t. Same high and quite same electrical characteristics. Can not be mixed when in W&M application. When used with mounting kit, has to be replaced with PR6221/..t + PR6021/00.

SARTORIUS - Type PR 6223 Load Cell

Technical Data		C3
Accuracy class	%E _{max}	0,015
Minimum dead load	%E _{max}	0
Rated capacity		25t, 50t
Max. usable load	%E _{max}	150
Destructive load	%E _{max}	>300
Minimum LC verification		14000
Deadload output return		3000
Rated output	mV/V	2
Tolerance on rated output	%C _n	<0,07
Zero output signal	%C _n	<1,0
Repeatability error	%C _n	<0,005
Creep, during 30min	%C _n	<0,0015
Non-linearity	%C _n	<0,01
Hysteresis	%C _n	<0,0165
Temperature effect on S _{min}	%C _n /10k	<0,01
Temperature effect on C	%C _n /10k	<0,01
Input impedance	Ω	1.080±10
Output impedance	Ω	1.010±1
Insulation impedance	Ω	5000x10 ⁶
Recommended supply voltage	V	4...24
Max. supply voltage	V	32
Nominal ambient temp. Range	°C	-10...+55
Usable ambient temp. range	°C	-30...+70
Storage temperature range	°C	-40...+70
Permissible eccentricity	mm	10
Vibration resistance		20g,100h,10,,150hz
Air pressure effect	g/kPa	<100
Nominal deflection	mm	<0,8



Cable	Diameter	5mm
	Length	16m
	Cross section	4 x 0.35mm ²
	Bending radius	≥ 50 mm (fixed installation) ≥ 150 mm (repeated bending)
Sheath	Colour	green
	Material	thermoplastic elastomer

Colour code	Red	Supply +
	Blue	Supply -
	Grey	Meas./LC out-
	Green	Meas./LC out +

